

# zibro®

home made climates

heating

cooling

(de-)humidifying

purifying



## DD 108 dehumidifier

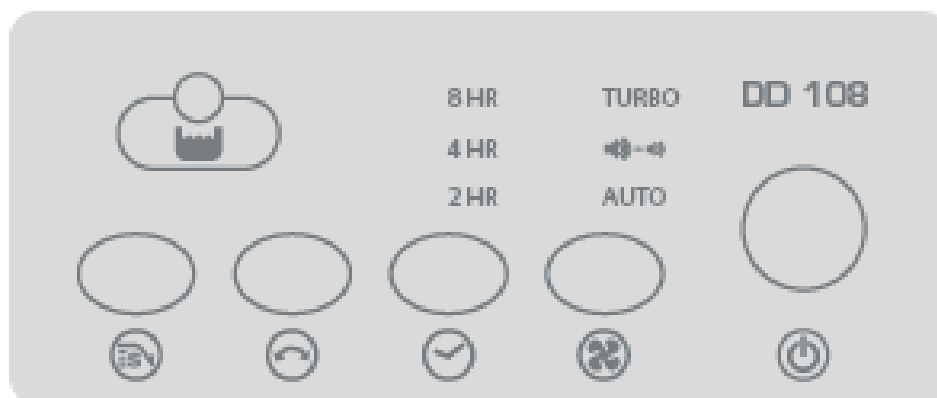
- Ⓛ Gebrauchsanweisung
- ⓁⓀ Brugsanvisning
- ⓔ Instrucciones de uso
- ⓕ Manuel d'utilisation
- Ⓜ Käyttöohje
- ⓐⓑ Operating manual
- Ⓛ Istruzioni d'uso
- Ⓝ Bruksanvisning
- ⓃⓁ Gebruiksaanwijzing
- Ⓟ Instrukcja obsługi
- Ⓢ Bruksanvisning
- ⓁⓁⓁ Navodila za uporabo
- ⓉⓇ Kullanım kılavuzu

guarantee  
**2**  
YEARS

Please read this manual before operating the unit and retain for future reference.

**THANK YOU**

## CONTROL PANEL



### 1. POWER ON/OFF SWITCH BUTTON

This dehumidifier is with AUTO RESTART function after power cut.

Once the power is restored after a power failure, the appliance will restart automatically.

This dehumidifier is with the Anion generator. When you turn on the unit, it will release negative ions from air outlet automatically.

### 2. MODE – Fan Speed Setting

This dehumidifier offers you 3 Modes for your selection. The indicator light will illuminate when the unit is operating in any of these modes. If the ambient humidity reaches the desired setting, the indicator will flash, the heater will stop.

When you turn on the unit by main power, it starts on “AUTO” MODE.

Press “MODE” to select desired Speed.

Its path cycle should be: AUTO → SILENT → TURBO

AUTO – Automatic control the fan speed for the most comfortable ambient humidity.

SILENT – Quiet operation with low fan speed, especially at night.

TURBO – Operating with full speed for maximum performance and dry laundry function.

Restart the unit will be on previous setting.

### 3. TIMER

Press Timer button to select desired off-hours, 2, 4 and 8 hours.

If timer is not set (no timer indicator on), the unit will continuous running.

### 4. AUTO SWING – AUTOMATIC OSCILLATION

When you turn on the unit by main power, the oscillation louver will swing to up direction.

Press this button the oscillation louver will swing up and down. By pressing it again will stop the louver at your desired position.

**WARNING:** DO NOT adjust the OSCILLATION LOUVER by hand, as this will cause damage.

## 5. ENERGY SAVING

This setting button offers you “Energy-Saving” function. It means increase the humidity setting level around RH 15%.

When you initially turn on the unit by main power, the LED indicator is off. Press this button, the green LED will on and this will offer you energy-saving function.

Restart the unit will be on previous setting.

## 6. FULL TANK – FULL TANK INDICATOR

The indicator will flash and the alarm will sound when the water tank is full. Please empty the water tank and replace it to the proper position, then the unit will running at previous setting.

# OPERATING PROCEDURE

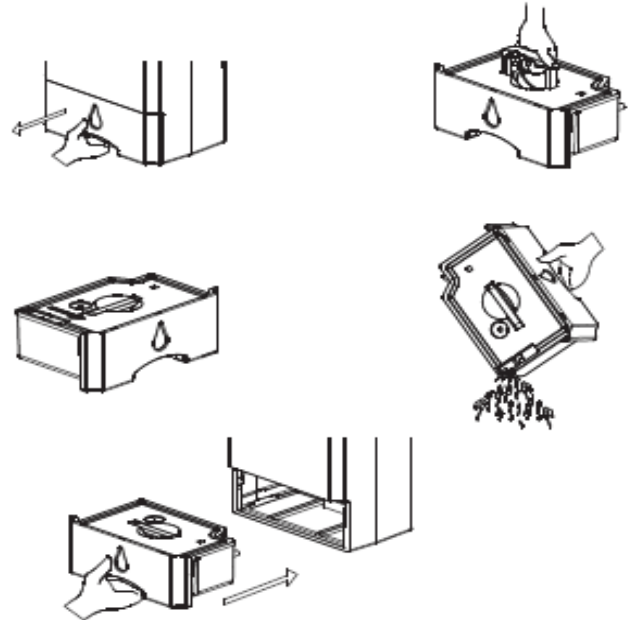
1. Press the “ON/OFF” button to turn on the unit. Press again to turn off the unit.

### WARNING:

- Once you turn off the unit, the oscillation louver will swing back to the level. The fan will keep running about 2 minutes to release heat.
  - DO NOT unplug from the mains till the fan is off.
2. Press the MODE control to select the desired performance.
3. Press AUTO SWING to control the air delivered direction.
4. Set the TIMER, if required.
5. Press ION to get fresh air, if required.

## HOW TO EMPTY THE WATER TANK

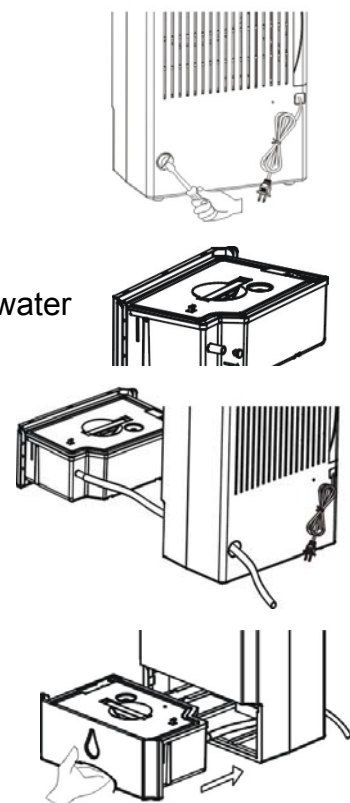
1. Gently pull out the water tank and lift it by the handle.
2. Open the sliding which on the left side of the tank cover.
3. Pour water out. Clean the tank with water if necessary. Do not use any chemical solvent to clean it.
4. Slide back the opening and press back the handle in its original place.
5. Replace the water tank into the unit.



## CONTINUOUS DRAINAGE

In certain situations it may be more convenient to set the unit up for continuous drainage. A hose with an inner diameter of approximately *10-10.5mm* is required (not supplied). A typical reinforced section of a garden hose would be suitable.

1. Ensure the unit is off.
2. Cut out the outlet at the back of the unit with a screwdriver.
3. Pull out the water tank and remove the rubber bung from the water outlet at the back of the water tank.
4. Pull through the hose and connect to the outlet on the tank. Retain the rubber bung for future use.
5. Push the tank back into the unit ensuring the hose stays connected to the outlet. Make sure the tank is right position.



## CAUTION:

If you wish to revert back to draining into the tank, when the unit is switched off and unplugged, simply remove the drainage hose. Pull out the tank and replace the rubber bung in the water outlet and push the water tank securely into place.

## WARNING:

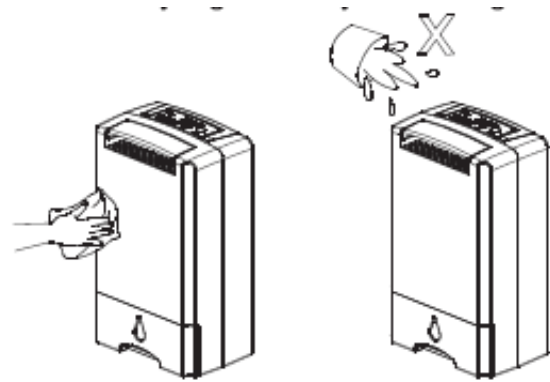
Please note that this appliance uses a gravity drain when on continuous drain. The hose must be directed in a downward position.

## MAINTENANCE

- Always remove the plug from the power socket before carrying out any cleaning or maintenance operations.

### CLEANING THE CABINET

Clean the cabinet with a soft damp cloth. NEVER use harmful chemical products or polish on the unit, as these solvents may serious damage the plastic surface.

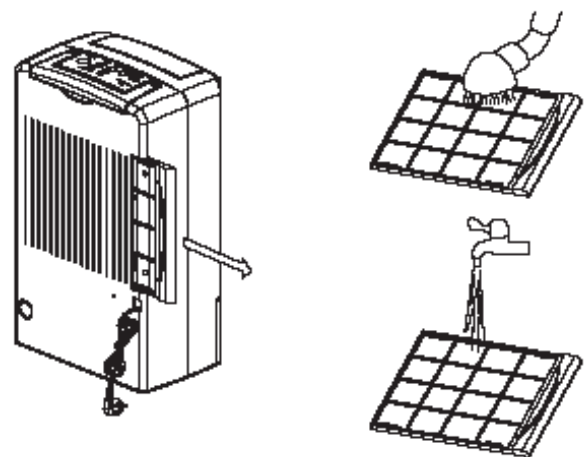


## WARNING:

DO NOT spray water or any solvents on the unit, as this may damage the electrical insulation.

### CLEANING THE AIR FILTER

- Clean the air filter every two weeks. If dust and dirt are allowed to accumulate on the filter, this will reduce the performance of the dehumidifier.
- Carefully pull out the filter screens from the unit.
- You can use a vacuum cleaner. If the filter is very dirty, it may be washed with a mild detergent in warm water.



**CAUTION:** Ensure that the filter is dry before replacing. Never operate unit without filter, as this will reduce the efficiency of the unit.

### LONG-TERM STORAGE

The following procedures are recommended for long-term storage:

1. Turn off the unit and remove plug from mains after the fan completely stops.
2. Carefully pull out and empty the water tank.
3. Wrap power cord and secure with cord wrap on back of unit.
4. Clean the air filter and plastic cabinet.
5. Cover unit with plastic bag to protect it from dust.
6. Store the unit in its upright position away from sunshine in a cool dry place.

## TROUBLE SHOOTING

### Normal situation:

1. When you turn off the unit, the fan will keep running about 2 minutes to release heat.
2. The unit is designed to operate from 1 – 40°C. If beyond this range or the air intake/outlet is blocked, the unit will off.
3. The product is equipped with a heater, the temperature will arise while the unit is running.

Before calling your dealer or service center for assistance, read and check the following points:

| <u>PROBLEM</u>         | <u>PROBABLE CAUSE</u>                            | <u>SOLUTION</u>  |
|------------------------|--|--|
| Unit does not function | unit is not plugged in                           | plug in to mains   |
|                        | Power failure                                    | Check fuse or circuit Breaker in your switch Board.            |
|                        | FULL TANK. Or water tank Is not placed properly. | Pour water out and place the water tank to the right position. |
| Poor Performance       | Close window and door                            | Window or door open  |
|                        | Air filter is clogged                            | Clean air filter   |
|                        | Air intake or outlet is clogged                  | Clear the obstacles away.                                      |
| Too noisy              | Check the ground level                           | Move the unit to even ground level.                            |
|                        | Air filter is clogged                            | Clean air filter   |